

Staple Here

Staple Here

 Cut Out

Fold Here

Fold Here



PROVERB-U-LATOR 17V14

**When an argument starts
you know what to do!
Reach for the
PROVERB-U-LATOR 17V14
and stop the problem
before real trouble
breaks out.
Keep it in the car, next to
the TV, in the classroom
or wherever an argument
may begin.**

Water Leak



www.lostsheep.com.au

Copyright © 2014 Lost Sheep Resources Pty. Ltd.
Proverbs_17:14_Activity_01

Staple Here

Staple Here

**The start of an argument is like
a water leak - so stop it before
real trouble breaks out.**

Proverbs 17:14 (CEV)



Fold Here

Fold Here



www.lostsheep.com.au

Copyright © 2014 Lost Sheep Resources Pty. Ltd.

Proverbs_17:14_Activity_01

Staple Here

Proverbs

Proverb-U-Lator 17V14

The Proverb-U-Lator 17V14 is the ultimate tool for stopping arguments before real trouble breaks out. Easy to build, cheap to run and so simple that even adults can use it. The Proverb-U-Lator 17V14 is the wise alternative to guns, bombs, storming off in a huff, insults, throwing rotten tomatoes and other crazy ways of trying to bring disagreements to an end.

To Build your Proverb-U-Lator 17V14

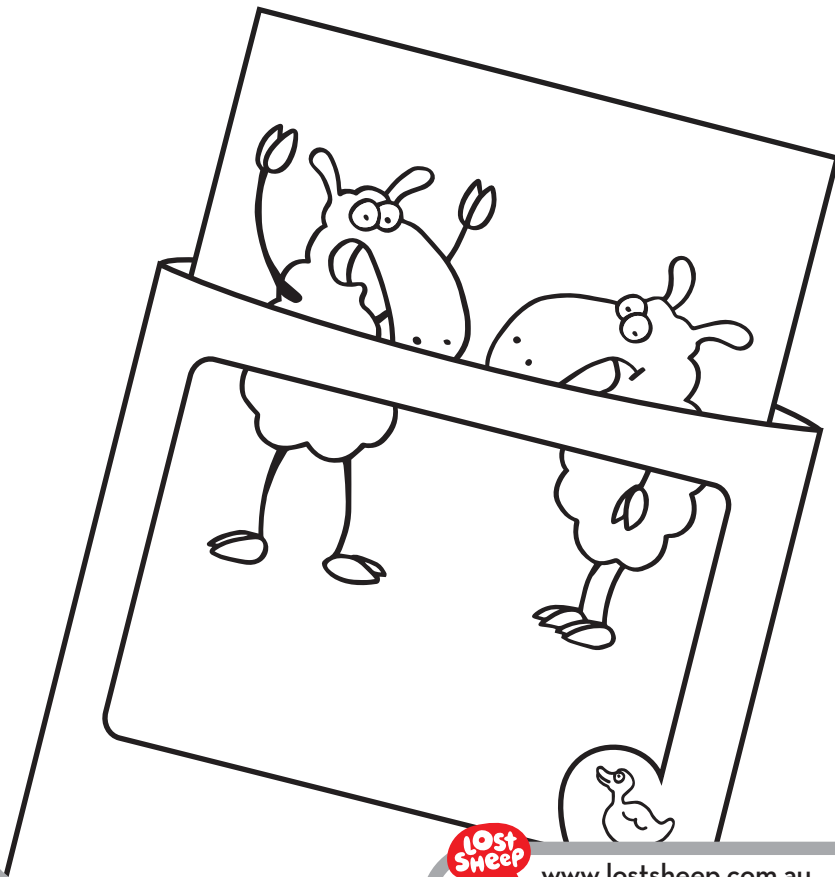
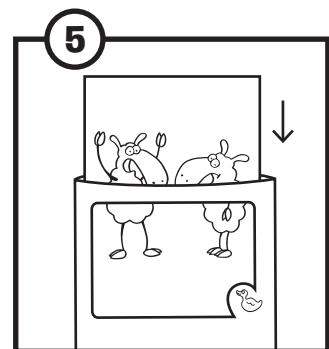
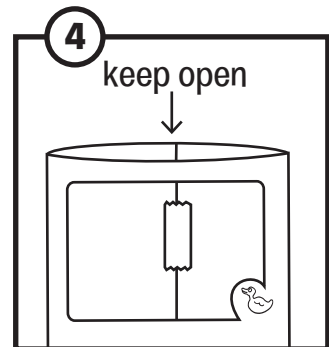
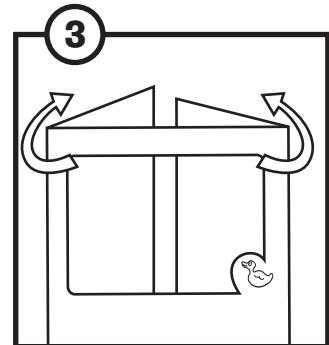
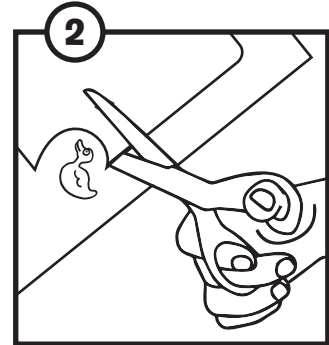
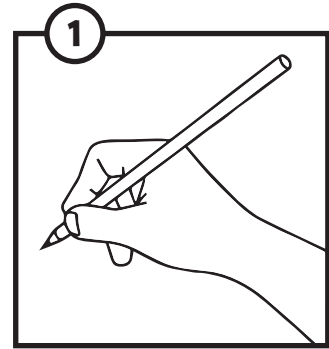
1. Colour in the pictures.
2. Cut out the viewing window.
3. Fold both sheets of paper.
4. Staple, sticky tape or glue in place.
(Make sure the top stays open.)
5. Slide the inside bit into the outside bit.

WELL DONE! You have made a Proverb-U-Lator 17V14.

Using your Proverb-U-Lator 17V14

When an argument starts grab the Proverb-U-Lator 17V14.

One person holds the top bit with the sheep on it, while the other person slowly slides up the water bit until the sheep are in real trouble! Read the proverb together. Then sort out your problem and get back to having fun!



www.lostsheep.com.au

Copyright © 2014 Lost Sheep Resources Pty. Ltd.

Proverbs_17:14_Activity_01

Staple Here

Staple Here

Fold Here

 Cut Out

Fold Here



PROVERB-U-LATOR 17V14

**When an argument starts
you know what to do!
Reach for the
PROVERB-U-LATOR 17V14
and stop the problem
before real trouble
breaks out.**

**Keep it in the car, next to
the TV, in the classroom
or wherever an argument
may begin.**

**LOST
SHEEP**

www.lostsheep.com.au

Copyright © 2014 Lost Sheep Resources Pty. Ltd.
Proverbs_17:14_Activity_01

Staple Here

Staple Here

**The start of an argument is like
a water leak - so stop it before
real trouble breaks out.**

Proverbs 17:14 (CEV)



Fold Here

Fold Here

lost
sheep

www.lostsheep.com.au

Copyright © 2014 Lost Sheep Resources Pty. Ltd.

Proverbs_17:14_Activity_01

Staple Here

Proverbs

Proverb-U-Lator 17V14

The Proverb-U-Lator 17V14 is the ultimate tool for stopping arguments before real trouble breaks out. Easy to build, cheap to run and so simple that even adults can use it. The Proverb-U-Lator 17V14 is the wise alternative to guns, bombs, storming off in a huff, insults, throwing rotten tomatoes and other crazy ways of trying to bring disagreements to an end.

To Build your Proverb-U-Lator 17V14

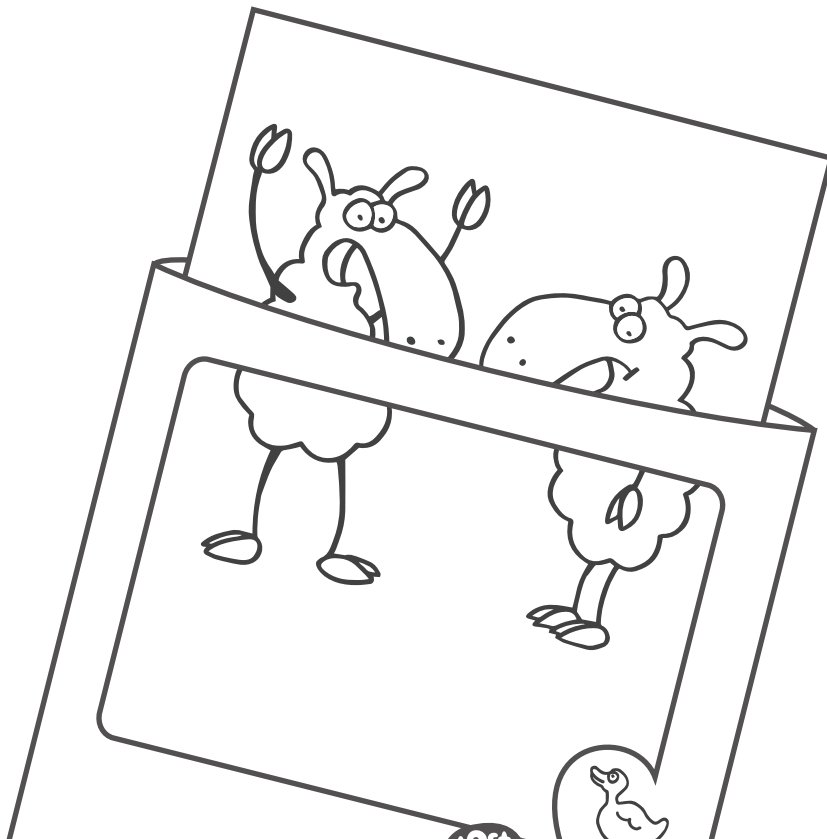
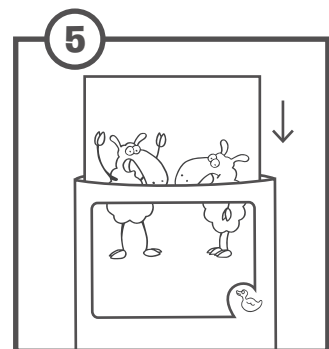
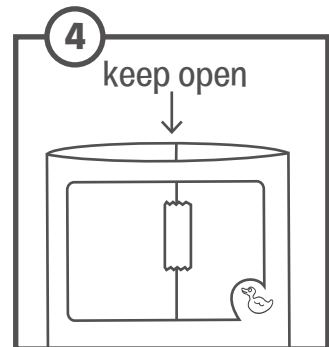
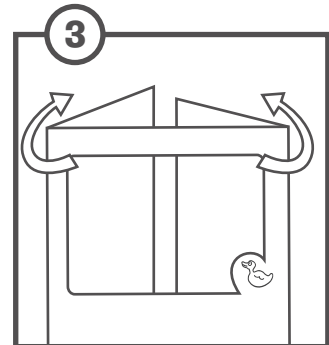
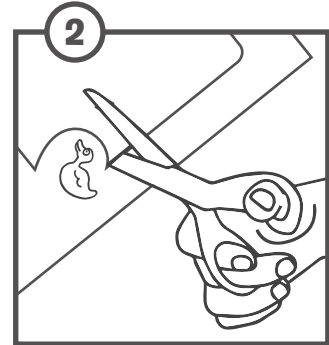
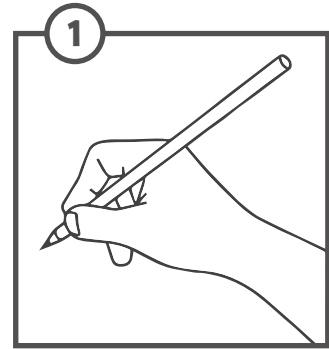
1. Colour in the pictures.
2. Cut out the viewing window.
3. Fold both sheets of paper.
4. Staple, sticky tape or glue in place.
(Make sure the top stays open.)
5. Slide the inside bit into the outside bit.

WELL DONE! You have made a Proverb-U-Lator 17V14.

Using your Proverb-U-Lator 17V14

When an argument starts grab the Proverb-U-Lator 17V14.

One person holds the top bit with the sheep on it, while the other person slowly slides up the water bit until the sheep are in real trouble! Read the proverb together. Then sort out your problem and get back to having fun!



www.lostsheep.com.au

Copyright © 2014 Lost Sheep Resources Pty. Ltd.
Proverbs_17:14_Activity_01